

# Flashing Options



- Thermally stable
- Malleable / stretchable
- Choice of flashing colours
- Available attached to some tray types or in rolls
- No scrap value

## USE

Flashing material choices available on flashing-attached trays.

## SOLUTION

Lead flashing remains the most popular choice to have bonded to our preformed trays.

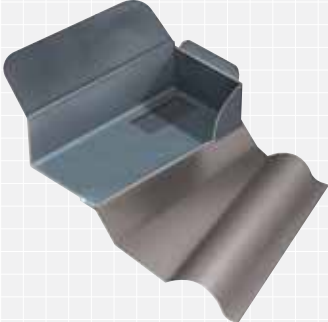
Alternative options are available for projects where compatibility issues or visual characteristics are of concern.

Where an inert flashing medium can help maintain neutral balance in the presence of limestone, magnesian limestone, sandstone and some granites, building design should always consider the flow of water from limestone to other masonry materials and flashing mediums. Where continuity of metal type to match the roof finish ensures most appropriate compatibility and visual continuity (example copper roof with copper flashings).

The synthetic flashing addition to our range is a composite material consisting of aluminium mesh enveloped within silian-modified polymer rubber. It is non-permeable and offers similar malleability to lead flashing. It will hold to shape and once dressed can be additionally secured in place with adhesive if required. Resilient to temperatures between -20° and +70°. UV and ozone resistant.

## IMPORTANT

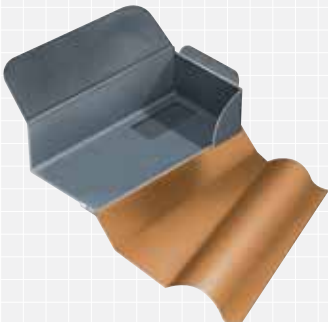
Where trays are supplied with flashings attached, all flashings will be manufactured from code 4 lead to BS EN 12588 unless otherwise stipulated on the order and will be subject to our full product warranty. Our warranty extends to the tray only where copper, synthetic or aluminium flashings are requested.



|                        |                                                                                                                  |
|------------------------|------------------------------------------------------------------------------------------------------------------|
| <b>MATERIAL</b>        | Lead                                                                                                             |
| <b>STANDARD</b>        | BS EN 12588                                                                                                      |
| <b>THICKNESS</b>       | 1.8mm – code 4                                                                                                   |
| <b>WEIGHT SQ METRE</b> | 20.41kgs/m <sup>2</sup>                                                                                          |
| <b>COLOURS</b>         | Natural                                                                                                          |
| <b>CONSIDERATIONS</b>  | Malleable and resilient medium shapes easily and provides long service life. Can be clipped or stuck if required |
| <b>ROLLS AVAILABLE</b> | All widths up to code 8 available separately                                                                     |



|                        |                                                                                      |
|------------------------|--------------------------------------------------------------------------------------|
| <b>MATERIAL</b>        | Synthetic Perform                                                                    |
| <b>SPECIFICATION</b>   | BBA 09/4681                                                                          |
| <b>THICKNESS</b>       | 2.1mm                                                                                |
| <b>WEIGHT SQ METRE</b> | 3.6kgs/m <sup>2</sup>                                                                |
| <b>COLOURS</b>         | Light grey, terracotta, black                                                        |
| <b>CONSIDERATIONS</b>  | Resilient with negligible spring and good hold. Can be stuck or clipped if required. |
| <b>ROLLS AVAILABLE</b> | 4m x 150mm, 250mm, 300mm, 450mm, 1250mm                                              |



|                        |                                                                 |
|------------------------|-----------------------------------------------------------------|
| <b>MATERIAL</b>        | Copper                                                          |
| <b>SPECIFICATION</b>   | BS 2870 ASTM B370                                               |
| <b>THICKNESS</b>       | 0.55mm+                                                         |
| <b>WEIGHT SQ METRE</b> | kgs/m <sup>2</sup> – varies pending gauge selected              |
| <b>COLOUR</b>          | Copper coloured prior to weathering                             |
| <b>CONSIDERATIONS</b>  | Less easy to dress. Slight spring. Benefits clipping to retain. |
| <b>ROLLS AVAILABLE</b> | No                                                              |



|                        |                                                         |
|------------------------|---------------------------------------------------------|
| <b>MATERIAL</b>        | Aluminium Alloy                                         |
| <b>SPECIFICATION</b>   | BS EN 485                                               |
| <b>THICKNESS</b>       | 0.6 / 0.9mm                                             |
| <b>WEIGHT</b>          | kgs/m <sup>2</sup> – varies pending gauge selected      |
| <b>COLOUR</b>          | Aluminium silver                                        |
| <b>CONSIDERATIONS</b>  | Less easy to dress. Springs. Required retaining medium. |
| <b>ROLLS AVAILABLE</b> | No                                                      |