

Cavibrick Sleeves

- Range of sizes
- Compatible with Cavibrick
- Fold flat storage
- Unobstructed airflow

PRODUCT NAME	Cavibrick Sleeves
SIZE	300 x 75mm, 300 x 150mm., 300 x 225mm
FREE AIRFLOW RATING	Exceeds Cavibrick rating
COLOUR	Black
MATERIAL	Polypropylene
OBSERVATIONS	Fold-flat for easy transportation and storage

USE

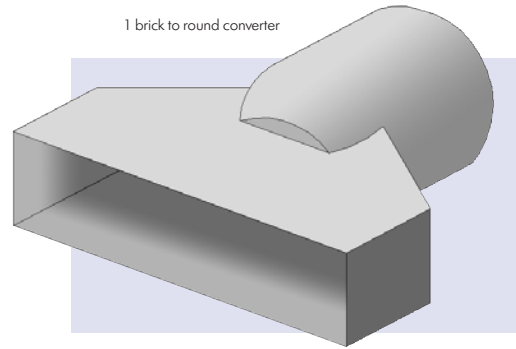
Sleeve attachments to provide ventilation to specific areas.

SOLUTION

A range of straight sleeves to accommodate one, two or three cavibricks. (High throughput cavibricks are designed to be used singularly or can be locked together to form larger brick-sized ventilating units.)

When connected to a cavibrick the combined length is sufficient to accommodate all popular cavity wall widths.

We recommend sleeves are protected with a cavitray where they pass through the cavity, to comply with NHBC/best practice. (See Sleeve and Duct Cavitrays.)



Cavibrick Sleeve

Rectangular to Round Converter Sleeve

- Compatible with Cavibrick
- Fits standard pipe
- Unobstructed airflow

PRODUCT NAME	Cavibrick Rectangular to Round Converter
SIZE	225 x 75 x 100mm projection, also 225 x 150 x 100 project and 225 x 225 x 100 protection
FREE AIRFLOW RATING	Exceeds Cavibrick rating
COLOUR	Black
MATERIAL	Polypropylene
OBSERVATIONS	Available for 1, 2 or 3 cavibrick heights

USE

Permits cavibrick to be connected to standard pipe.

SOLUTION

Where it is proposed to provide ventilation to a remote room, under floor area or void, a rectangular to round converter sleeve is available to permit the use of standard 100mm nominal plastic soil pipe.

We recommend sleeves are protected with a cavitray where they pass through the cavity, to comply with NHBC/best practice. (See Sleeve and Duct Cavitrays.)

