

Type CRSV

Circular Recessed Soffit Ventilator

- High airflow
- Reduces number of soffit apertures
- Insect screening
- New and existing work applications

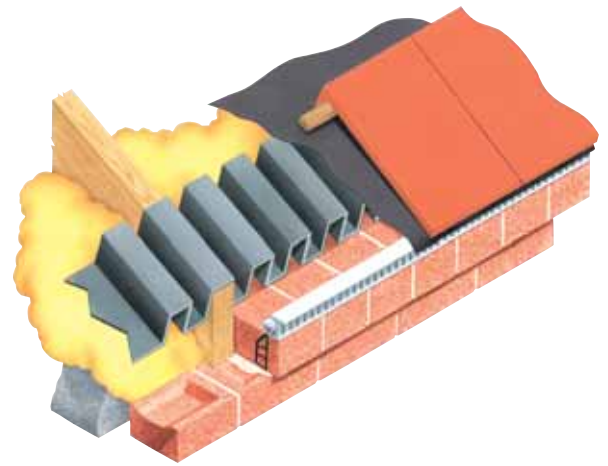
PRODUCT NAME	Type CRSV Circular Recessed Soffit Ventilator
SIZE	70/90 x 40mm
FREE AIRFLOW RATING	3420mm ² - suitable pitches 15 degrees upwards
COLOURS	Brown Black
MATERIAL	Polypropylene
OBSERVATIONS	Requires 70mm hole

USE

To provide airflow in and out of roof space via the soffit board. Suitable for introduction into existing soffit boards to fulfil airflow requirements. Also suitable for new build applications.

SOLUTION

The CRSV differs from the standard CSV as it has a deep body that protrudes up into the soffit box. The airflow apertures are positioned around the sides of the deep body ventilator rather than through the top. This arrangement results in a far greater airflow rating per ventilator. Thus a lesser number are required to fulfil the statutory airflow levels.



Type CV

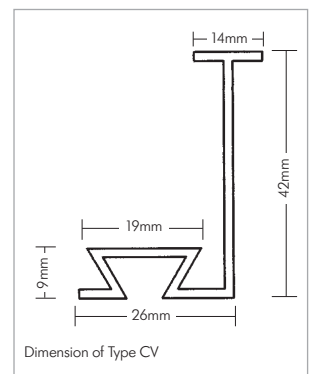
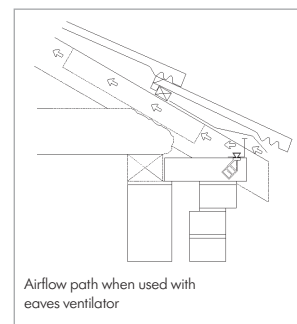
Corbel Ventilator

- Suitable for roofs of 15 degrees upwards
- Free airflow 10,000mm² per metre
- Integral insect screen
- Adjustable anchoring ties
- Compatible with our range of eaves ventilators

PRODUCT NAME	Type CV Corbel Ventilator
SIZE	2400 x 42 x 28mm
FREE AIRFLOW RATING	10,000 per running metre
COLOURS	White Black
MATERIAL	PVCU
OBSERVATIONS	Ties slide in channel to align with masonry joints

USE

To provide air ventilation at eaves level, where a running masonry corbel is constructed.



SOLUTION

The Type CV Corbel Ventilator is designed to be incorporated above a running masonry corbel built of brick, stone or similar.

The ventilator has a slotted vertical front face, providing the equivalent of a 10mm continuous air opening. To the rear of the ventilator, the base has a dovetail anchoring slot which permits the securing ties to be positively attached at any position to suit the corbel masonry joints.