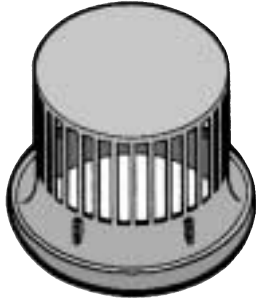


# Type CRSV

## Circular Recessed Soffit Ventilator

- High airflow
- Reduces number of soffit apertures
- Insect screening
- New and existing work applications



### use

To provide airflow in and out of roof space via the soffit board. Suitable for introduction into existing soffit boards to fulfil airflow requirements. Also suitable for new build applications.

### introduction

The CRSV differs from the standard CSV as it has a deep body that protrudes up into the soffit box. The airflow apertures are positioned around the sides of the deep body ventilator rather than through the top. This arrangement results in a far greater airflow rating per ventilator. Thus a lesser number

are required to fulfil the statutory airflow levels.

The Type CRSV can be used on most pitches of roof (appropriately spaced) and self-secures when pushed into a 70mm circular hole. Always ensure airflow via a soffit ventilator can reach the parts of the roof intended.

### data

- BS polypropylene
- Size 70/90 x 40
- Colours: white, brown and black
- Free airflow 3,420mm<sup>2</sup> per ventilator.
- Packaged in boxes containing 50no.

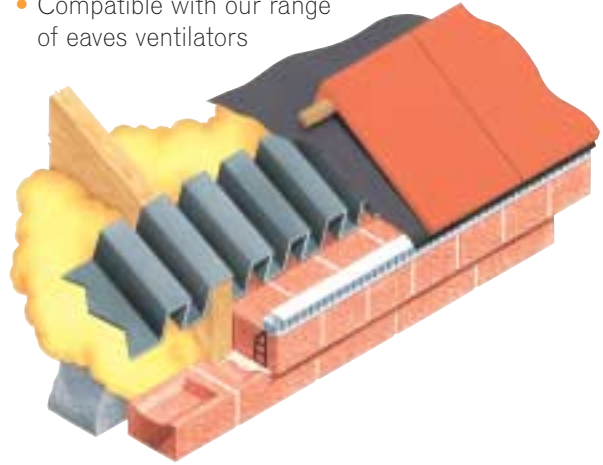


Consider for use where shown. See inside cover for key.

# Type CV

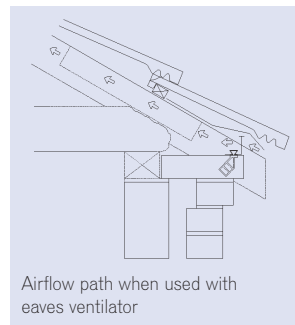
## corbel ventilator

- Suitable for roofs of 15 degrees upwards
- Free airflow 10,000mm<sup>2</sup> per metre
- Integral insect screen
- Adjustable anchoring ties
- Compatible with our range of eaves ventilators



### use

To provide air ventilation at eaves level, where a running masonry corbel is constructed.



### introduction

The Type CV Corbel Ventilator is designed to be incorporated above a running masonry corbel built of brick, stone or similar. The ventilator has a slotted vertical front face, providing the equivalent of a 10mm continuous air opening. To the rear of the ventilator, the base has a dovetail anchoring slot which permits the securing ties to be positively attached at any position to suit the corbel masonry joints.

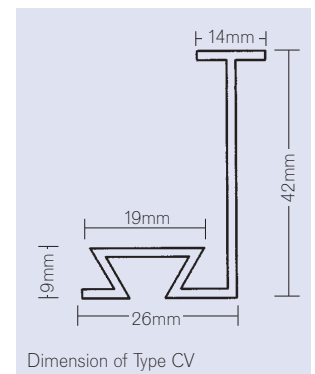


Consider for use where shown. See inside cover for key.

The Type CV provides an easy way of satisfying the statutory roof ventilation requirements where a masonry corbel exists.

### data

- PVCU, black, white.
- 2400mm lengths x 42mm height x 28mm depth.
- Use hardedge or eaves protector to ensure felt clears front face.
- Suitable for new and existing work.
- Integral insect screening.
- Adjustable tie fixing.
- Set-back anchoring position.
- Lengths available individually.



Dimension of Type CV

