

Type SV-FL

flat strip soffit ventilator

- Flat and sloping roof applications
- 25,000mm² airflow rating
- Self coloured – corrosion proof
- Insect screening

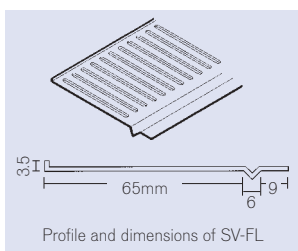


use

Permits entry of air via soffit.

introduction

The Type SV-FL is a strip soffit ventilator designed for use with flat and sloping soffit and has an airflow rating of 25,000mm² per metre run. Thus it may be used where the roof pitch is below 15 degrees.



The ventilation slots provide screening in accordance with regulations.

data

- PVCU compound.
- Colours: white or brown.
- Size: 2400mm x 80mm.
- Airflow rating 25,000mm².
- Insect screening.
- Suitable for pitches below 15 degrees.
- Packed in boxes containing 20no.
- Smaller quantities available.

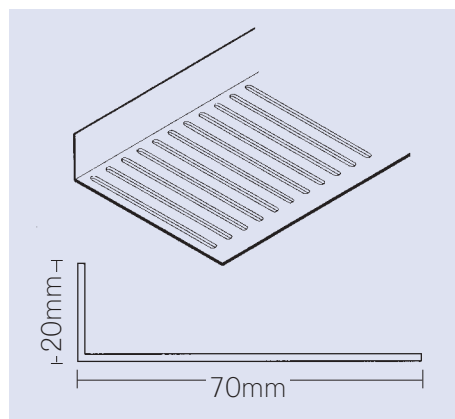


Consider for use where shown. See inside cover for key.

Type SV-GP

soffit ventilator - general purpose

- For sloping and flat roof ventilation
- 25,000mm² airflow rating
- Self coloured - corrosion proof
- Insect screening



use

Permits entry of air via soffit.

introduction

The Type SV-GP is a general purpose soffit ventilator strip, with an airflow rating of 25,000mm² per metre run. In sloping applications it may be used where the roof pitch is below 15 degrees.

The Type SV-GP may also be used to ventilate flat roofs, necessitating the fascia to be fitted so it stands off the masonry face a distance of just 70mm.

The ventilation slots provide screening in accordance with regulations.

data

- PVCU compound.
- Colours: white or brown.
- Size: 2400mm x 70mm x 20mm.
- Airflow rating 25,000mm².
- Insect screening.
- Suitable for pitches below 15 degrees.
- Packed in boxes containing 20no.
- Smaller quantities available.



Consider for use where shown. See inside cover for key.