



Type T Longchannel

- Suits all truss centres
- Suitable for all roof pitches
- Rapid fixing
- Compatible with our fascia and soffit ventilator

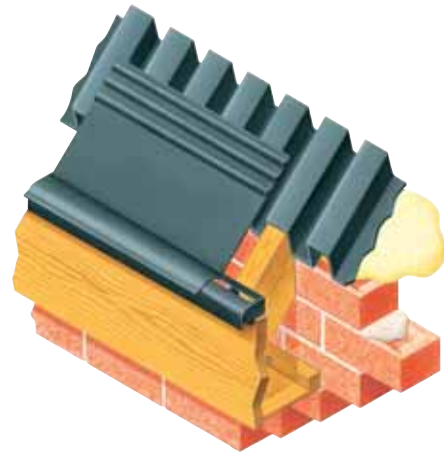
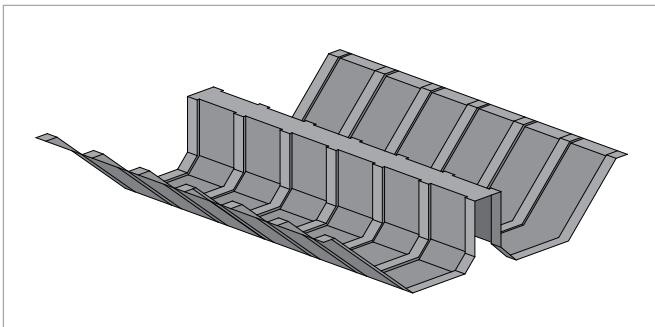
PRODUCT NAME	Type T Long Channel Eaves Ventilator
SIZE - LONG CHANNEL	180 x 1200 x 70mm
FREE AIRFLOW RATING	15,000mm ² @ 600mm centres
COLOUR	Black
MATERIAL	Polypropylene
OBSERVATIONS	For roof pitches of 15 degrees and above

USE

Preformed eaves ventilator permits airflow requirements into roof space in which a room has been incorporated.

SOLUTION

The long channel version of the Type T can be used to advantage where airflow is required to service a vented attic with an insulated knee-wall. The house-wrap or rigid sheathing material on the attic side of the knee-wall insulation protects the insulation from wind-washing and the long channel has sufficient reach to ensure airflow is unhindered.



Three-in-one

Roof Ventilation Kit

- Packaged solution for regulation compliance
- Suitable for roof pitches of 15 degrees upwards
- Easy ordering and stock control
- Integral insect screening

PRODUCT NAME	Three-in-One Roof Ventilation Kit
SIZE	Sufficient for 6m run
FREE AIRFLOW RATING	12,500mm ² per running metre
COLOUR	Black
MATERIAL	Polypropylene
OBSERVATIONS	For roof pitches of 15 degrees and above

USE

Pack providing over fascia ventilation, eaves ventilation and felt support.

SOLUTION

The three-in-one roof ventilation kit provides an easy and economical way of satisfying regulation requirements regarding roof ventilation. Each kit contains sufficient products to cover a six metre run. The contents of each kit are as follows: 1 no. 6 metre roll of eaves roll out ventilator (EROV). 4no. Contract hardedge lengths.

A six metre run of standard over fascia ventilator (OFV). Three-in-one roof ventilation kits may be used with tile and slate roofs. All pack products are also available separately.

