

Specifications

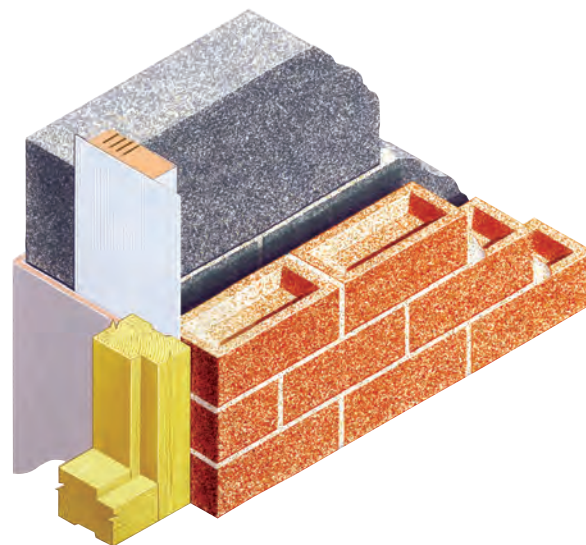
Product name - group	Type FWC Five Width Cavicloser
Exposure Rating	Severe 30+mm setback. Very severe when checked
Cavity - Standard Sizes Accommodated	Suits 50mm, 65mm, 75mm, 85mm & 100mm
Special Cavity Widths Accommodated	Above five dimensions - trim to choice
Straight Reveals	Yes - build in profile as supplied
Checked Reveals	No
Product Lengths	2.4m
Acts as Vertical DPC	Yes
Acts as Insulator	Yes
Permits Different Frame Positions	Yes
Frames Fitted as Work Proceeds or Later	Second fix
Timber Frame / Traditional Construction	Both styles accommodated
Masonry Skin Styles	All popular flat faced masonry
Undulating Masonry Face Finishes	Seek advice providing details of material
Acoustic Qualities	N/A
Fire Rated	No (see Cavi prefixed range for fire rated)
Vertical and Horizontal Applications	Yes - see examples
Compatible with other Cavity Wall Elements	No identified restrictions
Securing Ties Supplied	No - friction fitting + nail fix to block work
Pack Sizes	x10 lengths
Weight per pack	9kg
Material	PVCU + orange polystyrene foam
Colour	White with orange insulation
Building Regulations	Yes regulations can be satisfied
NHBC / Robust Details	Yes requirements can be satisfied
'K' Value of Insulations	0.030W/mK
CFC Free	Yes - zero ODP
CAD Drawing Downloads Available	Yes

TYPE FWC

Five Width Cavicloser

- Acts as a DPC
- Insulates the reveal
- One model provides five size options
- Straight reveal applications

MULTI WIDTH
Trim to size
on site
X5



Requirement

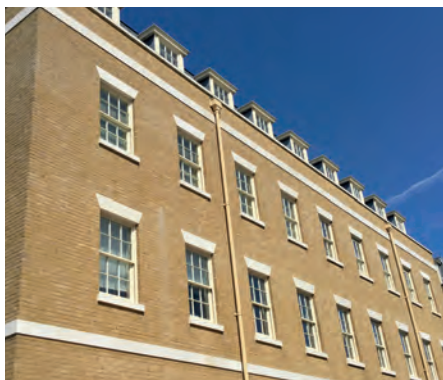
To close a reveal using closer with grooved insulation to suit a variety of cavity widths. Insulates and acts as a dpc.

Solution

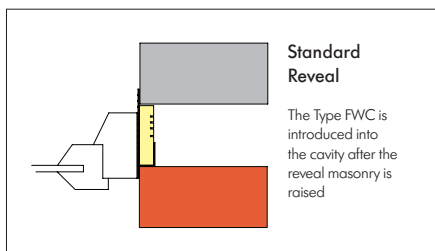
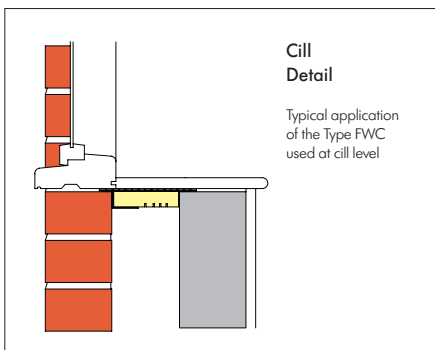
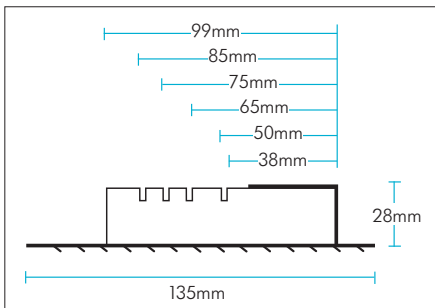
The Type FWC offers the installer flexibility, as grooves in the insulating core denote where the core can be trimmed back to create a cavity closer to suit five different cavity widths. Thus this one model addresses the widths of cavity currently popular.

References

- Building Regulations Part L
- British Standard 5628-3
- BRE Thermal Insulation Avoiding Risks
- Website: cavitytraystandards.co.uk
- Robust Details
- Scottish Tech Standards Part D



Cavity walls closed with Type FWC Cavity Closer. Type C Cavity Trays at lintel level. Discreet Caviweeps located in brickwork beyond surround feature



Designers' Comments

Installer needs only one model to close most popular cavity widths.

Bill of Quantity / Specification Wording

F30 Accessories / sundry items for brick / block / stone
 Manufacturer: Cavity Trays Ltd, Yeovil Somerset BA22 8HU Tel: 01935 474769

Type FWC five width cavicloser to vertically close reveals at window and door openings. Build in carefully observing manufacturers' instructions to ensure correct installation. Metres run _____.