

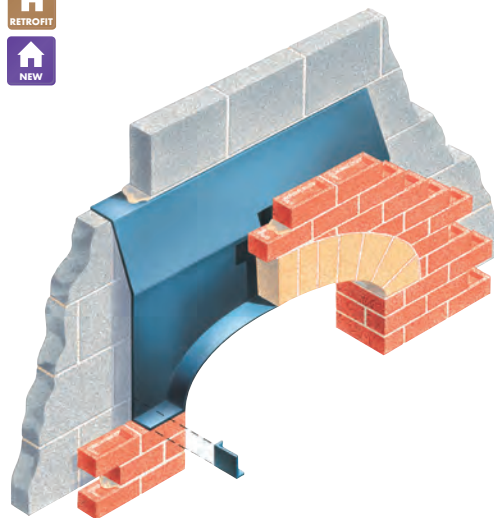
Specifications

Product name - group	Type BA
Cavity widths accommodated	50mm – 300mm cavity
Dimensions	Up to 3000mm o/a in one piece, larger sizes in connecting sections
Size limitations	No limit in connecting sections
Traditional construction compatible	Yes
Timber frame construction compatible	Yes - with cavistrap fixing
New work applications	Yes
Retrofit applications	Possible pending opening style/dimensions
Masonry skin styles	No known limitation
Curved wall on plan applications	Yes possible – see Curved Wall entries
Undulating masonry faces	Compatible
Congruent with other wall elements	No identified incompatibility
Arrested water evacuation	Via Caviweep choice supplied
Thermal transmission	Negligible - calculated non-conductive
Material	Polypropylene DPC
Colour	Black
Extrudes / compresses under load	No
Pack size	Available individually
CFC	CFC Free
ODP	Zero
Regulation compliance	Yes
May be used if cavity insulation present?	Does not affect functionality
CAD downloads	Yes
Design considerations	Advise adjacent elevation features to determine whether elevation will benefit arrestment provision

TYPE BA

Moulded DPC Cavitrays Barrier Arch protection for shaped openings

- Available in different arch styles and design
- Provides matching DPC element to arch masonry
- Permits traditional centring use
- Traditional or timber frame construction
- Format can accommodate very wide openings



Two radius / flat arch



Triangular



Semi-circular / Roman arch



Horseshoe / Moorish arch

Use

To protect arch openings of all styles and dimensions.



Where an arched opening has a decorative stone surround, the Type BA is widened so water evacuation via Caviweeps can take place within the adjoining masonry.

Solution

The Type BA Barrier Arch is a ready-moulded DPC shaped to harmonise with traditional arch construction and protect the opening against damp ingress. Offered on a swift bespoke manufacturing basis, arches are available in all styles and dimensions.

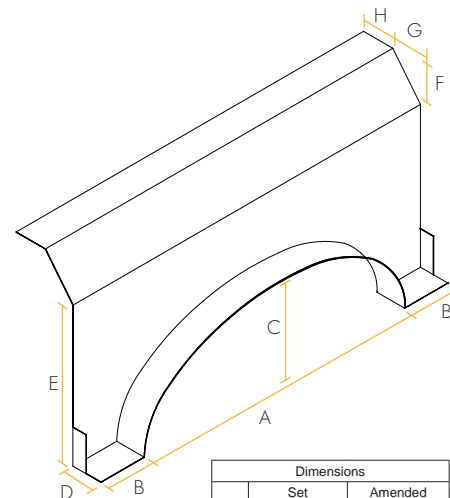
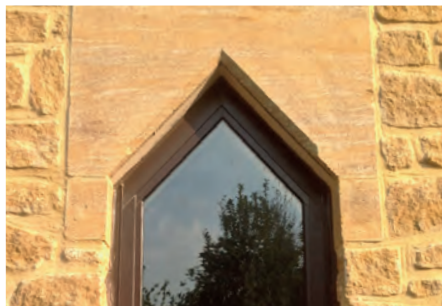
The Type BA barrier arch is incorporated within the cavity wall with its base section positioned on traditional centring or on the curved supporting lintel – whichever is applicable. The top of the Type BA is normally returned into the inner skin where traditional masonry is used, or with some styles a self-supporting option that does not build in is offered.

How to Order

Supply opening details and ideally an accompanying elevation extract with dimensions for immediate attention.

Designers' Comments

There are added complications of damp-proofing the arrangement between inner and outer skins when arch openings of any style are constructed - as originally identified within BS 5628. Conventional DPC cannot readily be sloped outwards and simultaneously curved to follow the radius. The ready-shaped Type BA barrier arch ensures compatibility and functionality.



Dimensions		
	Set Dimensions	Amended Dimensions
A		
B		
C		
D		
E		
F		
G		
H		

Bill of Quantity / Specification Wording

F30 -Clause 370 Preformed Cavity Trays

Manufacturer: Cavity Trays Ltd, Yeovil Somerset BA22 8HU Tel: 01935 474769

Type BA Barrier Arch Cavity Tray to be incorporated within cavity wall over arch openings where formed with traditional centring or shaped lintel. Build in carefully observing manufacturers' instructions to ensure watertight installation. Number and size _____.