

## Specifications

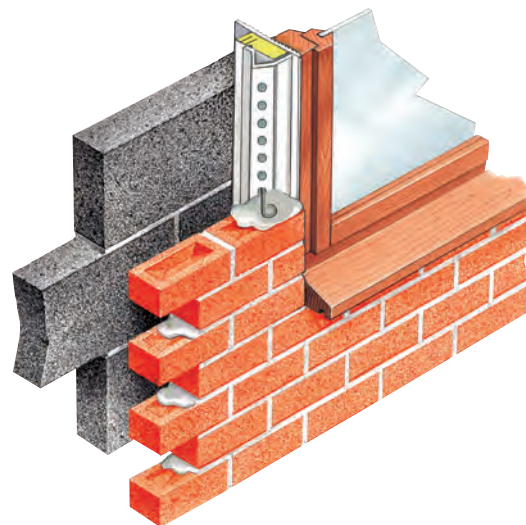
|  |  |
|--|--|
| Product name - group                       | Type V Cavidloser                              |
| Exposure Rating                            | Severe 30+mm setback. Very severe when checked |
| Cavity - Standard Sizes Accommodated       | 50mm, 75mm, 100mm                              |
| Special Cavity Widths Accommodated         | Yes - bespoke closer service offered           |
| Straight Reveals                           | Yes - build in profile as supplied             |
| Checked Reveals                            | Yes – turn hinged section 90° prior to use     |
| Product Lengths                            | 2.1m and 3.0m                                  |
| Acts as Vertical DPC                       | Yes  |
| Acts as Insulator                          | Yes  |
| Permits Different Frame Positions          | Yes  |
| Frames Fitted as Work Proceeds or Later    | Yes - first or second fix options              |
| Timber Frame / Traditional Construction    | Both styles accommodated                       |
| Masonry Skin Styles                        | All popular flat faced masonry                 |
| Undulating Masonry Face Finishes           | Seek advice providing details of material      |
| Fire Rated                                 | No (see Cavi prefixed range for fire rated)    |
| Vertical and Horizontal Applications       | Yes – see examples                             |
| Compatible with other Cavity Wall Elements | No identified restrictions                     |
| Securing Ties Supplied                     | Yes included within pack                       |
| Pack Sizes                                 | x10 lengths                                    |
| Weight per pack                            | 10kg per 2.1m pack, 14.5kg per 3.0m pack       |
| Material                                   | PVCU + polystyrene                             |
| Colour                                     | White  |
| Building Regulations                       | Yes regulations can be satisfied               |
| NHBC / Zurich / Premier Requirements       | Yes requirements can be satisfied              |
| 'K' Value of Insulations                   | 0.033W/mK / 0.038W/mK                          |
| CFC Free                                   | Yes + zero ODP                                 |
| Possible Composite Thermal Resistance Path | 2.20 m <sup>2</sup> K/W (in 75mm cavity)       |
| CAD Drawing Downloads Available            | Yes  |

## TYPE V

### Contract Closer

- Closes cavity and acts as a DPC
- Insulates the reveal
- Range of cavity widths offered
- Eliminates need to cut and return masonry
- Cost-effective standardised detail
- Anti capillary fins

MULTI WIDTH  
Trim to size  
on site  
X3



### Requirement

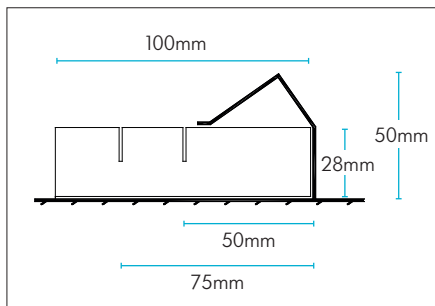
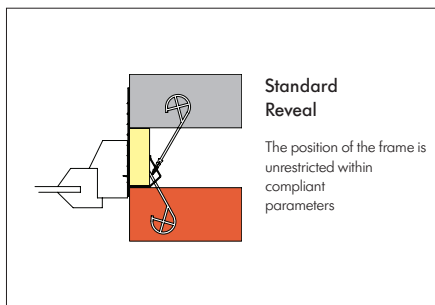
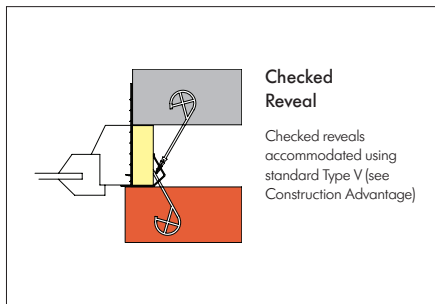
General application closer providing thermal, dpc and closing requirements featuring grooved insulating core offering dimension choices.

## Solution

The Type V Closer provides an economical way of closing the cavity wall reveal. It is a one-part model consisting of a ribbed face that spans the cavity and overlays the inner and outer skins of masonry. Secured behind this face is a closed cell insulating core, that projects into the cavity. Slots accommodate ties to secure the closer. Integral anti-capillary mouldings. Frames can be fitted in any compliant position within the reveal depth.

## References

- Building Regulations Document C L1 & L2.
- British Standard 5628-3.
- BRE Thermal Insulation Avoiding Risks.
- Cavity Trays Ltd main manual.
- Website: [cavitytraystandards.co.uk](http://cavitytraystandards.co.uk)
- Robust Details
- Scottish Tech Standards Part D
- Building Regulations Scotland – proposals for consultation June 2008.
- BS EN ISO 10211: Thermal bridges in building construction



## Designers' Comments

Checked reveals instantly accommodated by turning the hinged section of the closer. The resulting profile also introduces an isolation stop between the damp masonry and the section of the frame in check.

## Bill of Quantity / Specification Wording

F30 Accessories / sundry items for brick / block / stone walling  
180 Cavity Closers

Manufacturer: Cavity Trays Ltd, Yeovil Somerset BA22 8HU Tel: 01935 474769

Type V Contract Closer to all window and door reveals in cavity walls. Build in carefully observing manufacturers' instructions to ensure correct installation. (2.1m and 3.0m lengths). Metres run \_\_\_\_\_.



Type V Cavity Closers permit openings in cavity walls to be closed swiftly and economically.