

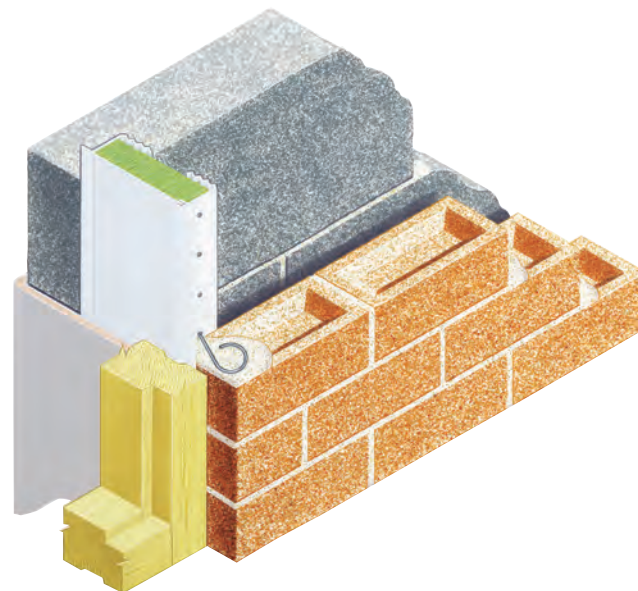
Specifications

Product name - group	Type WCA Cavicloser
Exposure Rating	Severe 30+mm setback. Very severe when checked
Cavity - Standard Sizes Accommodated	From 100mm up to 150mm
Special Cavity Widths Accommodated	Yes - bespoke closer service offered
Straight Reveals	Yes - build in profile as supplied
Checked Reveals	Yes - build in as checked illustration
Product Lengths	2.1m and 3.0m
Acts as Vertical DPC	Yes
Acts as Insulator	Yes
Permits Different Frame Positions	Yes
Frames Fitted as Work Proceeds or Later	Yes - first or second fix options
Timber Frame / Traditional Construction	Both styles *integral movement link
Masonry Skin Styles	All popular flat faced masonry
Undulating Masonry Face Finishes	Seek advice providing details of material
Acoustic Insulator	Yes reduces sound flanking transmission
Fire Rated	No (see Cavi prefixed WCA for fire rated)
Vertical and Horizontal Applications	Yes – see examples
Compatible with other Cavity Wall Elements	No identified restrictions
Securing Ties Supplied	Yes
Pack Sizes	x6 lengths
Weight per pack	2.1m x 6 = 14.5kg, 3.0m x 6 = 21kg.
Material	PVCU + polystyrene inskorfoam
Colour	White
Building Regulations	Yes regulations can be satisfied
NHBC	Yes requirements can be satisfied
'K' Value of Insulations	0.033W/mK / 0.038W/mK as standard
CFC Free	Yes + zero ODP
CAD Drawing Downloads Available	Yes

TYPE WCA

Closer for wide cavity installations

- Closes cavities up to 150mm wide
- Function as vertical DPC
- Insulates reveal
- Permits choice of frame positions
- Micro fins



Requirement

To close reveal and provide dpc and thermal qualities plus movement provision.

Solution

WCA stands for wide cavity applications. The large insulating core promotes excellent thermal qualities. The WCA is available to suit cavities up to 150mm wide and is secured in position using accompanying ties.

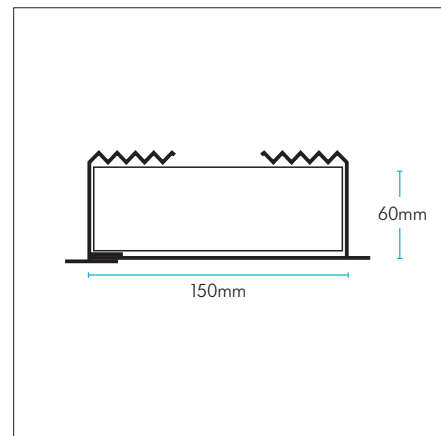
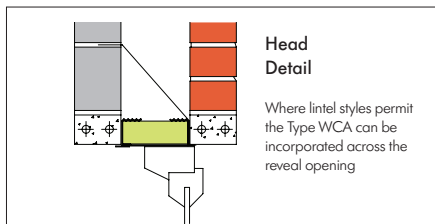
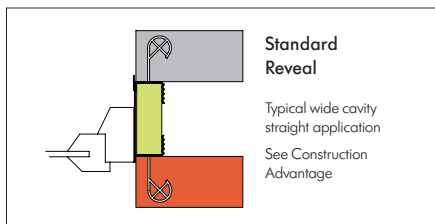
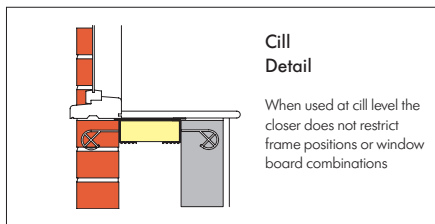
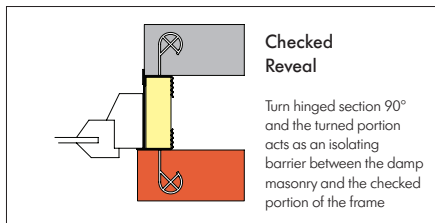
The side of the closer nearest the inner leaf has a friction fit relationship with the rest of the closer body. Thus in timber frame construction the closer can be screwed or nailed to the inner leaf, and the arrangement can benefit expansion and contraction provision.

References

- Investigating Rainwater Penetration of Modern Buildings (Masonry 129)
- Building Regulations Part L
- British Standard 5628-3
- BRE Thermal Insulation Avoiding Risks
- Website: cavitytraystandards.co.uk
- Robust Details
- Scottish Tech Standards Part D

Continuity Advantage Option

An optional extended insulating core (similar to Continuity Closer) can be provided on this product so it can interface with partial fill insulation. Option available only where cavity width is 100mm or more. State clearly if this interfacing option is required.



Designers' Comments

In timber frame applications direct screw fixing to the inner leaf is possible as closer has an integral friction link moulding offering some vertical differential movement provision. See also checked reveal hinge advantage.

Bill of Quantity / Specification Wording

F30 Accessories / sundry items for brick / block / stone walling
180 Cavity Closers

Manufacturer: Cavity Trays Ltd, Yeovil Somerset BA22 8HU
Tel: 01935 474769

Type WCA Cavitycloser to all window and door reveals in cavity walls. Build in carefully observing manufacturers' instructions to ensure correct installation. (2.1 and 3.0m lengths). Metres run _____.