

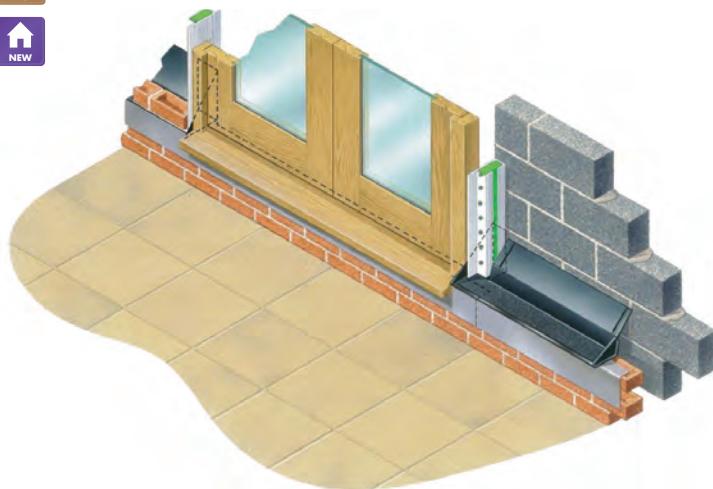
## Specifications

Product name - group	Type G Balcony Opening Tray GBOT
Cavity widths accommodated	From 50mm up to 160mm
Dimensions	Lengths, and dimensions varied to suit
Bespoke options	Manufactured on this basis
Traditional construction compatible	Yes
Timber frame construction compatible	Yes
New work applications	Yes
Retrofit applications	Some options
Masonry skin styles	Available for all skin styles
Undulating masonry faces	Compatible in most instances
Congruent with other wall elements	Cavicleosers accommodated
Arrested water evacuation	Via Caviweep(s) per tray
Thermal transmission of material	Negligible - 0.15 – 0.17
Material	Polypropylene and Pethelleyne DPC
Colour	Black / Grey
Extrudes / compresses under load	No
Pack size / weight	Varies pending design
CFC	CFC Free
ODP	Zero
Regulation compliance	Permits meeting of requirements
May be used if cavity insulation present?	Functionality unaffected pending type and placement
CAD downloads	Supplied following evaluation
Design considerations	If using a Continuity Cavicleoser the Type GBOT permits any partial fill insulation to be splay cut and the thermal enhancement provided by the cavicleoser core projection to continue into the tray base.

## TYPE GBOT

### Type G Balcony Opening Tray

- Integrates vertical and horizontal DPC mediums
- Establishes stopends to opening
- Prevents cavicleoser discharging below intersection
- Two format options



### Use

Provides interfacing between horizontal cavitray and vertical cavicleoser at opening onto balcony thus preventing closer water gravitating below the critical level of protection. Introduces integral stopend at vulnerable doorframe termination point.

## Introduction

An appropriately profiled cavitray is required where a balcony extends outwardly from the face of a building. Where a doorway interrupts any such arrangement, water penetrating in the vicinity of the vertical cavicloser must be prevented from gravitating below threshold level and/or below the horizontal cavitray arrestment level. This applies where a balcony structurally links through the wall interrupting the open cavity, and/or where the area below the balcony is not an open space because it is within the building envelope. The Type GBOT Balcony Opening Tray provides a preformed positive way of linking vertical and horizontal protective mediums.

## Solution

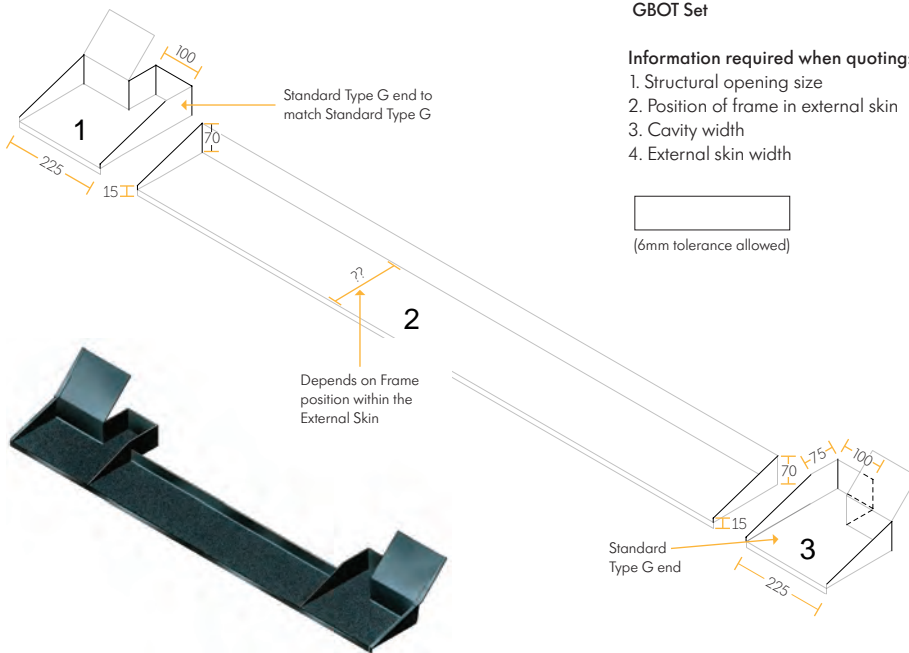
Type GBOT Balcony Opening Trays are normally supplied in three sections. A centre section accommodates the frame sill, and two side sections, each of which receives the reveal vertical closer and extends to provide an integrating link with the adjoining Cavitray horizontal protection.

Water gravitating between the closer anti-capillary fins (demanded by Building Regulations to be on the face of the closers) is arrested before it has opportunity to discharge downwardly and soak into the building.

In those instances where traditional structural reveal closing with a flexible vertical DPC is proposed, the side sections are differently shaped to accommodate the masonry and DPC, with or without accompanying vertical insulation.

## How to Order

Provide wall section and plans so optimum arrestment profile can be determined and a schedule submitted prepared. See dimensions panel.



### GBOT Set

#### Information required when quoting:

1. Structural opening size
2. Position of frame in external skin
3. Cavity width
4. External skin width



## Bill of Quantity / Specification Wording

### F30 -Clause 370 Preformed Cavity Trays

**Manufacturer:** Cavity Trays Ltd, Yeovil Somerset BA22 8HU  
**Tel:** 01935 474769

Type GBOT (Type G compatible Balcony Opening Tray) to be incorporated under sill of exterior doors where building extends beyond sill at lower level. Build in carefully observing manufacturers' instructions to link with adjoining protective Cavitray. State number of openings and structural width \_\_\_\_\_.

## Designers' Comments

Height of horizontal arrestment must be appropriate for balcony floor level. The access opening requires protection under it in addition to it linking with the adjacent horizontal provision. Water penetration prevention must address the entire balcony junction length. Protection under sill will normally be included with the Type GBOT solution identified as being most appropriate.